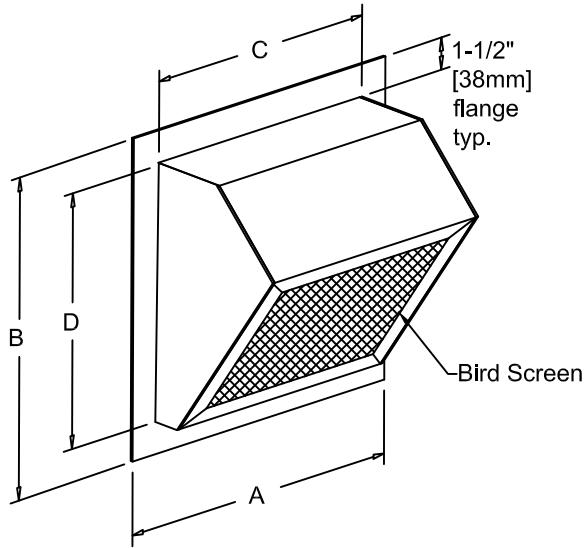


**WALL HOOD**

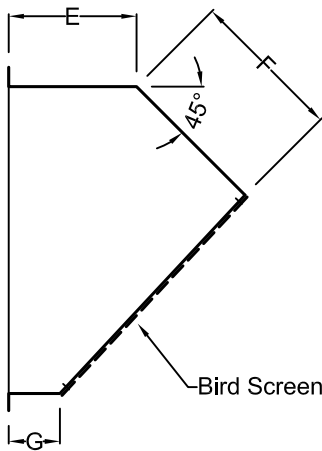


**Standard Construction**

Hood: 18 ga. Galvanized Steel  
 Birdscreen: 1/2" x .050" [12.70mm x 1.27mm] Expanded Aluminum (2B)  
 Finish: Standard Mill

**Options:**

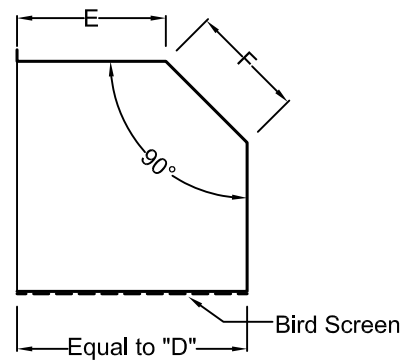
- Aluminum Construction 0.090" [2.29mm]
- Stainless Steel Construction (18 ga.)
- Durable Polyester Powder (AAMA 2604)
- 90° Hood (see detail)
- Dampers - with or without actuators
- Filter racks
- Security bars



Qty.	C	D	A & B	E	F	G	Tag

A & B include 1-1/2" [38mm] flange - note if otherwise. E, F, & G mfg. std. - fill in blanks for special construction

90° HOOD OPTION:



Job Name:	<input type="checkbox"/> <b>MODEL WH</b>		
Location:			
Architect:	DRAWN BY: CLJ	DATE: 9-17-01	REV. DATE: 1-26-18
Engineer:	REV. NO. 8	APPROVED BY: BGT	DWG. NO.: <b>B-16</b>
Contractor:			