

# FSTF24 US

## On/Off, Spring Return Fail-Safe, 24 VAC



### Technical Data

Power Supply	24 VAC $\pm$ 20%, 24 VDC -10% + 20%
Power Consumption Running	2 W, 3 VA
Power Consumption Holding	1.5 W, 2 VA
Transformer Sizing	5 VA (class 2 power source)
Shaft Diameter	Standard: 1/4" to 1/2" round, centers on 1/2"
Electrical Connection	3 ft., 18 GA appliance cable, 1/2" conduit connector
Overload Protection	electronic throughout 0° to 95° rotation
Electrical Protection	actuators are double insulated
Angle of Rotation	95°
Torque	18 in-lb [2 Nm] minimum
Direction of Rotation	can be selected by CCW/CW mounting
Position Indication	visual indicator, 0° to 95° (0° is full spring return position)
Manual Override	No
Running Time (Motor)	<75 seconds @ 250°F [121°C]
Running Time (Fail-Safe)	< 25 seconds @ 32°F to 122°F [0°C to 50°C]
Humidity	5 to 95% RH non-condensing
Ambient Temperature Range	32°F to +122°F [0°C to +50°C]
Storage Temperature Range	-40°F to +176°F [-40°C to +80°C]
Housing	NEMA 2, IP42, UL enclosure type 2
Housing Material	UL94-5VA
Agency Listings†	cULus acc. to UL60730-1A/-2-14, CAN/CSA E60730-1:02, Listed to UL 2043 - suitable for use in air plenums per Section 300.22(C) of the NEC and Section 602 of the IMC
Noise Level (Motor)	<45 dB (A)
Noise Level (Fail-Safe)	<62 dB (A)
Servicing	maintenance free
Quality Standard	ISO 9001
Weight	1.26 lbs. (0.57 kg.)

Part no.	Clamp side spring return
FSTF120 US	CW
FSTF120.1 US	CW (bulk pack)
FSTF120.1 CCW	CCW (bulk pack)
FSTF120-S US CW	CW
FSTF120-S.1 US	CW (bulk pack)
FSTF120-S.1 CCW	CCW (bulk pack)

† UL File XAPX.E108966

### Torque 18 in-lb, 250°F for 30 min, for fire and smoke dampers

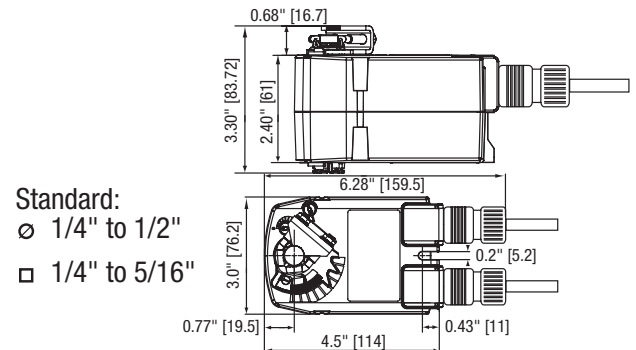
#### Application

The type FSTF spring-return actuator is intended for the operation of smoke and combination fire and smoke dampers in ventilation and air-conditioning systems. The actuator will meet requirements of UL555 and UL555S when tested as an assembly with the damper. Square footage of damper operated will depend on make and model per damper manufacturer UL testing.

#### Operation

Mounting of the actuator to the damper axle shaft or jackshaft is via a cold-weld clamp. Teeth in the clamp and V-bolt dig into the metal of both solid and hollow shafts maintaining a perfect connection. The specially designed clamp will not crush hollow shafts. The bottom end of the actuator is held by an anti-rotation strap or by a stud provided by the damper manufacturer. The actuator is mounted in its fail safe position with the damper blade(s) typically closed. Upon applying power, the actuator drives the damper to the open position. The internal spring is tensioned at the same time. If the power supply is interrupted, the spring moves the damper back to its fail-safe position.

#### Dimensions (Inches[mm])



Standard:  
 ∅ 1/4" to 1/2"  
 □ 1/4" to 5/16"

#### Safety Notes

Screw a conduit fitting into the actuator's bushing. Jacket the actuator's input and output wiring with suitable flexible conduit. Properly terminate the conduit in a suitable junction box.

#### Retrofit Safety Note

Use of the FSTF for replacement of other makes of actuators is limited in damper area. The FSLF is preferred for direct coupled applications. The FSTF may be applied for linkage applications on dampers 1.5 sq.ft. and smaller at velocities under 2000 fpm.

Accessories	
KH-TF US	Crankarm for Shafts to 1/2"
KH-TF-1 US	Crankarm for Shafts with 1/4" slot
KH-TF-1.1 US	Crankarm for Shafts with 1/4" slot
TF-P	Anti-Rotation Bracket
TOOL-06	8 mm and 10 mm Wrench
ZDB-TF	Angle of Rotation Limiter for TF
ZG-TF2	Crankarm Adaptor Kit (includes mounting hardware)
ZG-TF3	TF mounting tubes and hardware kit
ZG-TF112	Crankarm Adaptor Kit (includes ZG-113 and KH-TF)
ZS-100	Weather Shield - Galvaneal
ZS-150	Weather Shield - Polycarbonate
BAE165 US	165°F electric thermal sensor. SPST, NC

### Typical Specification

All smoke and combination fire and smoke dampers shall be provided with Belimo FSTF, FSLF, FSNF, or FSAF actuators. All substitutions must be approved before submission of bid. Damper and actuator shall have UL 555S Listing for 250°F &/or 350°F. Actuator shall have been tested to UL 2043 per requirements of IMC 602.2 and NEC 300.22 (c). Where position indication is required -S models with auxiliary switches or damper blade switches will be provided per code requirements.

### Wiring Diagrams

- Provide overload protection and disconnect as required.
- Actuators may also be powered by 24 VDC.
- Actuators may be powered in parallel. Power consumption must be observed.
- Ground present on some models.
- Meets cULus requirements without the need of an electrical ground connection.

